

WITH GO ELECTRIC'S LYNC™ HUB SOLUTION, CUSTOMERS CAN...

Control and optimize all energy assets

Interface with main grid or quickly island when necessary

Manage peak shaving and power factor corrections

Contact us at microgrids@saftamerica.com to learn more



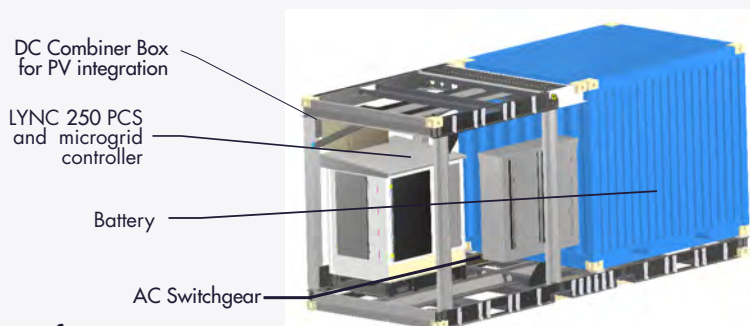
LYNC™ HUB

The all-in-one building microgrid Portable, flexible, comprehensive

Resilience is now readily available in a single deliverable system that is **flexible, cost effective and quickly deployed**

Go Electric has developed LYNC™ HUB (Portable microgrid all-in-one), a compact and quickly installed microgrid that can be customized for your needs.

LYNC™ HUB 250kW installation



Key features

- Uninterruptible power, energy storage, microgrid controls, with embedded peak shaving, load shifting and demand response functionalities
- Prime generation option: solar power
- Fully integrated and pre-commissioned
- 40', 30' and 20' ISO container footprint
- Pad or trailer mountable
- Open protocol communications

LYNC™ HUB enables customers to monetize resiliency within a comprehensive offering

- Rate based design that supports grid
- Properly values customer owned solar production
- Allows for demand response
- SCADA compatible to interface in a controls hierarchy
- Multiple configurations available from 75 to 500 kW to support various use cases

Customer benefits

Quantifiable resilience

Your customers remain operational and continue utilizing PV when the grid is down

Meet Peak Demand

Automated peak shaving and load shifting reduce system-wide demand

Increase Demand Response

Customers easily enroll in demand response programs without cost burden and impact on operations

Useful Renewables

Solar energy now contributes to resiliency, peak management and energy efficiency, rather than de-optimizing grid operation through net-metering schemes

Flexible deployment

LYNC™ HUB is designed on standard ISO containers and can be deployed as pad mounted or trailer mounted based on customer needs

Don't break the LYNC™!