

Li-ion rechargeable military battery system

28 V LBB

(Lithium-ion battery box)



Benefits

- Maintenance free
- Light weight
- Fast re-charge
- No ventilation required

Typical applications

- Improved Target Acquisition System
- Exportable power
- Defense

Safety features

- Electronics
 - Over-charge protection
 - Over-discharge protection
 - Over-current protection
 - Capacity (%) indicator
 - RS-422 communication available (with built-in test and battery status)
 - Over-ride pass-through switch
 - On/off switch
- Hardware
 - Pressure compensated box
 - Burst prevention mechanism
 - Carry handles
 - Arctic glove functional
 - Keyed connectors

Charger

- Current limited (31.8 V) charger

Electrical characteristics

Voltage	OCV	31.8 V
	Mid-discharge	28.8 V
	Cut-off	24.0 V
Maximum charge		32.0 V
Capacity	+ 54° C	>80 Ah
	+ 21° C	>80 Ah
	- 32° C	>70 Ah
Max discharge rate		30 A

Mechanical characteristics

Weight	64 lbs/29 kg
Height	13.19 in/335.0 mm
Width	12.60 in/322.3 mm
Length	17.07 in/433.6 mm

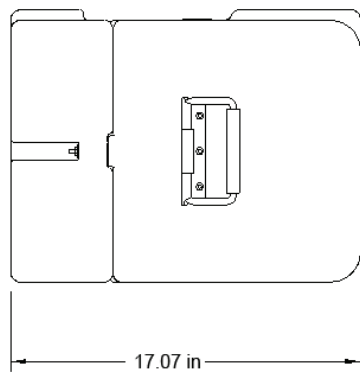
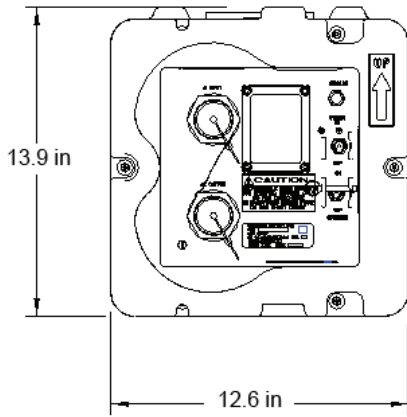
Qualifications

Transport	UN & DOT Approved
Altitude	50,000 ft/15,240 m
Drop tested	3 ft
Water proof	3 ft
Vibration spectrum	full
Shock spectrum	full
Electromagnetic protection	(if required)

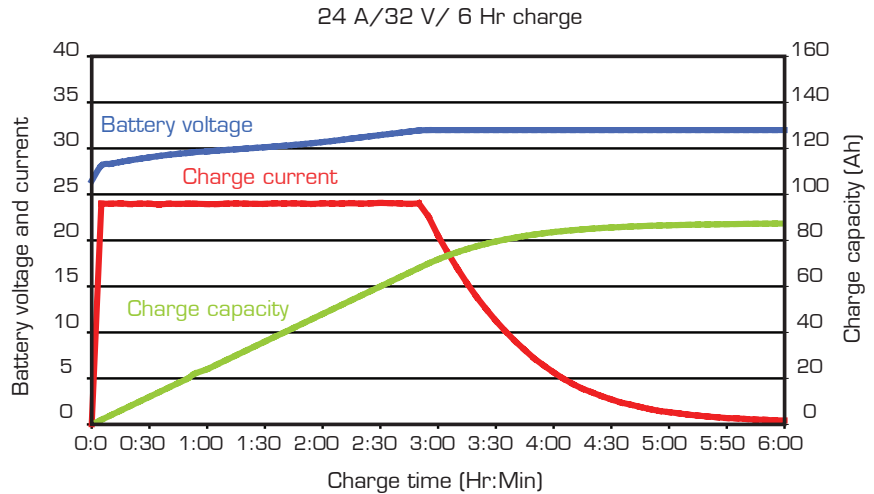


SAFT

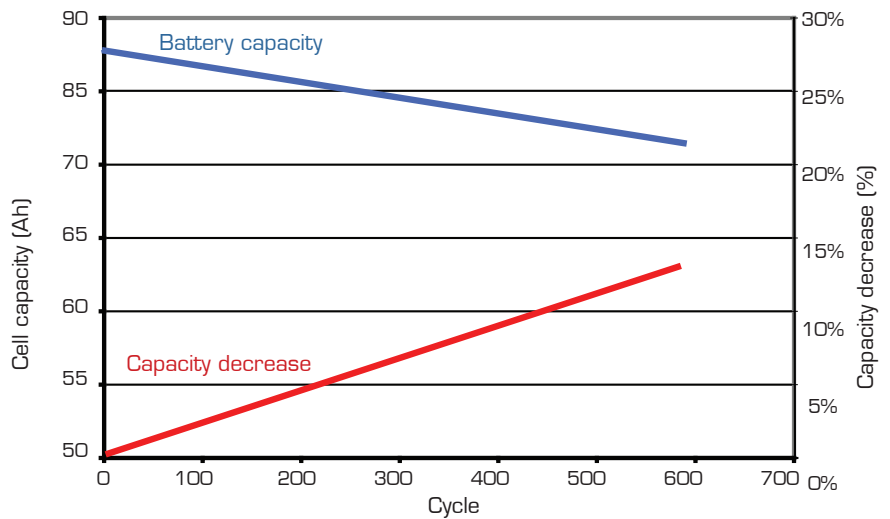
28 V LBB



Charge profile



Fade/capacity over cycle life



Saft America, Inc.
 Space & Defense Division
 107 Beaver Court
 Cockeysville, MD 21030 - USA
 Tel +1 410 771 3200
 Fax +1 410 771 1144

www.saftbatteries.com

Doc N° 32014-2-0307
 Edition: March 2007

Data in this document are subject to change without notice and become contractual only after written confirmation by Saft.

Published by the Communications Department

Photo credit: Saft

Produced by Saft Space & Defense Division



SAFT