

28V Lithium Battery Box

Rechargeable lithium-ion battery system

Battery system for the Improved Target Acquisition System for the TOW Missile

Saft's Lithium Battery Box (LBB) provides power to the ITAS system on board the TOW missile and is also ideal for defense applications requiring 28V power.

Saft supplies complete energy storage systems customized as needed to meet customer specifications.

Benefits

- Maintenance free
- Light weight
- Fast re-charge capability
- No ventilation required

Safety Features

- Electronics:
 - Over-charge protection
 - Over-discharge protection
 - Over-current protection
 - Capacity (%) indicator
 - RS-422 communication available (with built-in test and battery status)
- Hardware:
 - Pressure compensated box
 - Burst prevention mechanism
 - Carry handles
 - Arctic glove functional
 - Keyed connectors

Applications

- Improved Target Acquisition System
- Exportable power
- Military / defense



Electrical characteristics

Voltage	OCV	31.8 V
	Mid-discharge	28.8 V
	Cut-off	24.0 V
Maximum charge		32.0 V
Capacity	+54°C	>80 Ah
	+21°C	>80 Ah
	-32°C	>70 Ah
	Max discharge rate	30 A

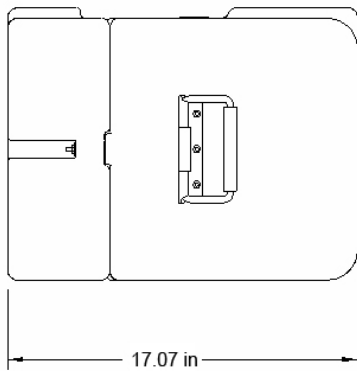
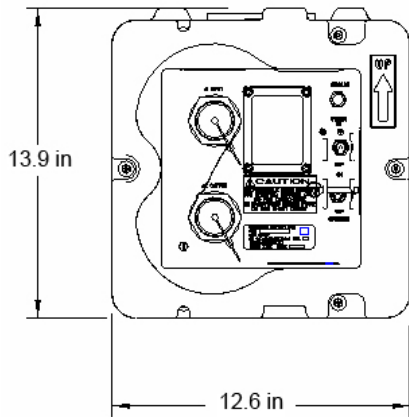
Mechanical characteristics

Weight	64 lbs/29 kg
Height	13.19 in/335 mm
Width	12.6 in/322.3 mm
Length	17.07 in/433.6 mm

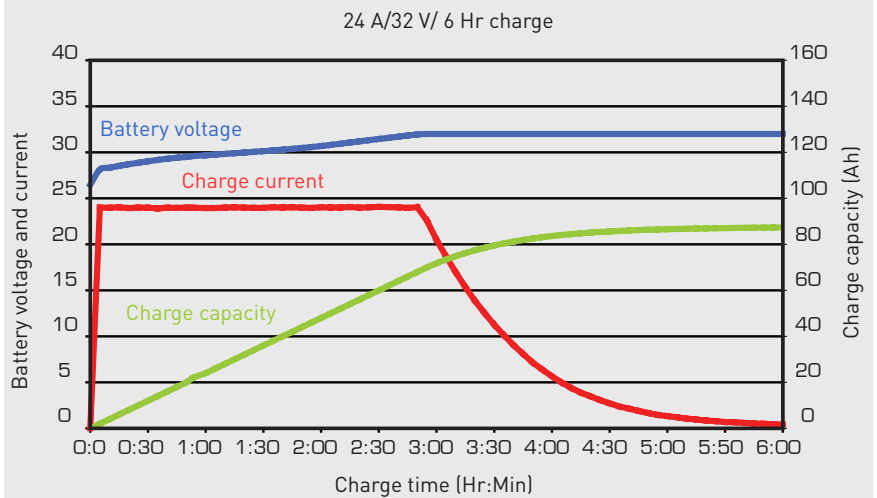
Qualifications

Transport	UN and DoT approved
Altitude	50,000 ft/15,240 m
Drop tested	3 ft
Water proof	3 ft
Vibration spectrum	full
Shock spectrum	full
Electromagnetic spectrum	(if required)

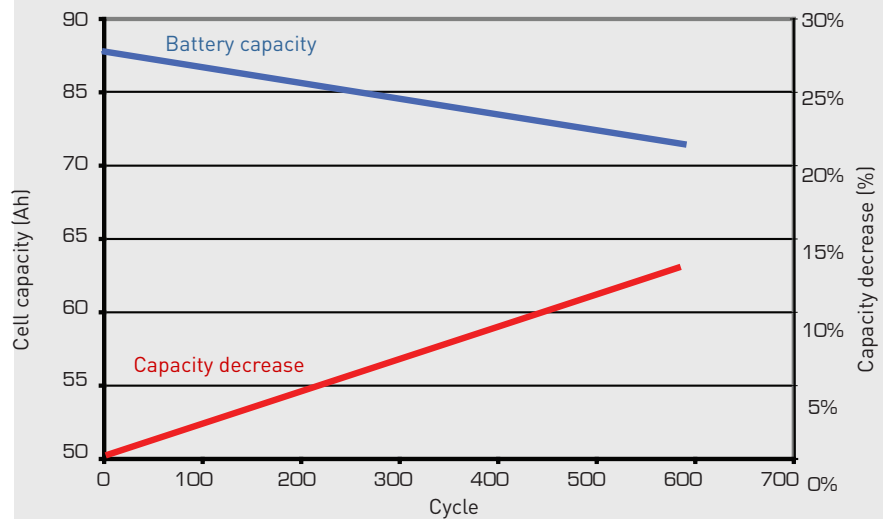
28V LBB



Charge profile



Fade/capacity over cycle life



Saft
 107 Beaver Ct.
 Cockeysville, MD 21030
 Tel.: +1 410-771-3200
 Fax: +1 410-771-1144
 Email: SaftDefenseUS@saftbatteries.com
 www.saftbatteries.com

Doc N° 32035-13-0912
 Edition: September 2012
 Information in this document is subject to change
 without notice and becomes contractual only after
 written confirmation by Saft.
 Published by the Communications Department
 Photo credit: Saft

