

# High Power Lithium Battery Box

## Rechargeable lithium-ion battery system

28 V high power Li-ion battery system

Saft's 28 V high power lithium battery box (HP LBB) is comprised of high power Li-ion cells in a 2p8s configuration, and has a capacity of 100 amp/hours. The battery provides a reliable portable power source for fielded applications.

Saft supplies complete energy storage systems customized as needed to meet customer specifications.

### Benefits

- Maintenance free
- Light weight
- Fast re-charge capability
- No ventilation required

### Safety Features

- Electronics:
  - Over-charge protection
  - Over-discharge protection
  - Over-current protection
  - Capacity % indicator
  - RS-422 communication available (with built-in test and battery status)
  - On/off switch (remote capability)
- Hardware:
  - Pressure compensated box
  - Burst prevention mechanism
  - Carry handles
  - Arctic glove functional
  - Keyed connectors

### Typical Applications

- 28 V back-up power
- Exportable power
- Military / defense



Saft PN 204791 (Reference Only)

### Electrical characteristics

Voltage	OCV	31.8 V
	Mid-discharge	28.8 V
	Cut-off	24.0 V
	Maximum charge	32.0 V
Capacity	+60 °C	>80 Ah
	+21 °C	>80 Ah
	-40 °C	>70 Ah
	Discharge times at 100 Amps from full state of charge	
	+60 °C	15 minutes (minimum)
	+21 °C	45 minutes
	-40 °C	15 minutes (minimum)
Discharge rate		100 A

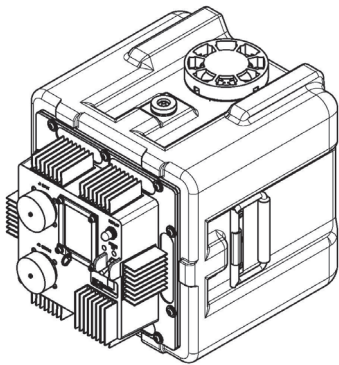
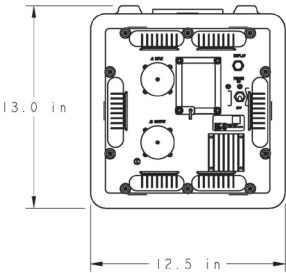
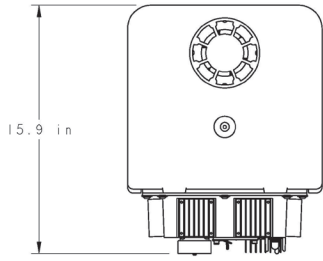
### Mechanical characteristics

Weight	60 lbs / 27.3 kg
Height	13 in / 330.2 mm
Width	12.5 in / 317.5 mm
Length	15.9 in / 403.9 mm

### Qualifications

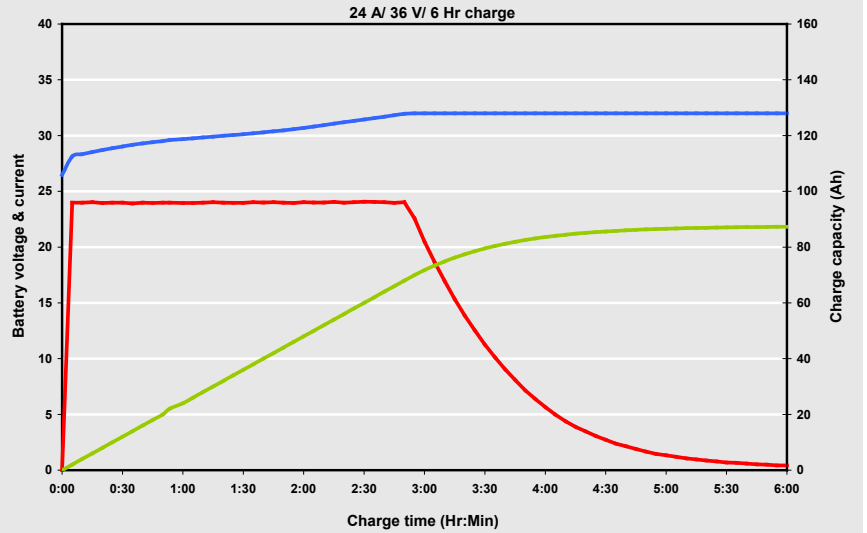
Transport	UN and DoT approved
Altitude	50,000 ft / 15,240 m
Water proof	3 ft
Vibration spectrum	full
Shock spectrum	full
Electromagnetic spectrum	full

# High Power LBB

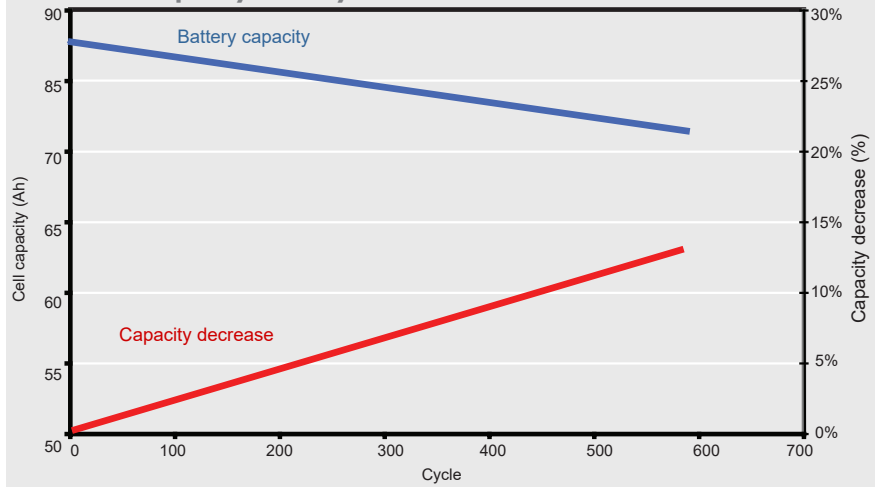


SCALE 1:4

## Charge profile



## Fade/capacity over cycle life



**Saft**  
 107 Beaver Ct.  
 Cockeysville, MD 21030  
 Tel.: +1 410-771-3200  
 Fax: +1 410-771-1144  
 Email: SaftDefenseUS@saftbatteries.com  
 www.saftbatteries.com

Doc N°54086-2-0513  
 Edition: May 2013  
 Information in this document is subject to change  
 without notice and becomes contractual only after  
 written confirmation by Saft.  
 Published by the Communications Department  
 Photo credit: Saft

