

High Power Lithium Battery Box

Rechargeable lithium-ion battery system

28 V high power Li-ion battery system

Saft's 28 V high power lithium battery box (HP LBB) is comprised of high power Li-ion cells in a 2p8s configuration, and has a capacity of 100 amp/hours. The battery provides a reliable portable power source for fielded applications.

Saft supplies complete energy storage systems customized as needed to meet customer specifications.

Benefits

- Maintenance free
- Light weight
- Fast re-charge capability
- No ventilation required

Safety Features

- Electronics:
 - Over-charge protection
 - Over-discharge protection
 - Over-current protection
 - Capacity % indicator
 - RS-422 communication available (with built-in test and battery status)
 - On/off switch (remote capability)
- Hardware:
 - Pressure compensated box
 - Burst prevention mechanism
 - Carry handles
 - Arctic glove functional
 - Keyed connectors

Typical Applications

- 28 V back-up power
- Exportable power
- Military / defense



Saft PN 204791 (Reference Only)

Electrical characteristics

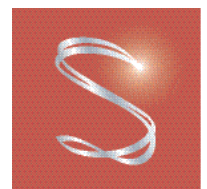
Voltage	OCV	31.8 V
	Mid-discharge	28.8 V
	Cut-off	24.0 V
Maximum charge		32.0 V
Capacity	+60 °C	>80 Ah
	+21 °C	>80 Ah
	-40 °C	>70 Ah
Discharge times at 100 Amps from full state of charge	+60 °C	15 minutes (minimum)
	+21 °C	45 minutes
	-40 °C	15 minutes (minimum)
Discharge rate		100 A

Mechanical characteristics

Weight	60 lbs / 27.3 kg
Height	13 in / 330.2 mm
Width	12.5 in / 317.5 mm
Length	15.9 in / 403.9 mm

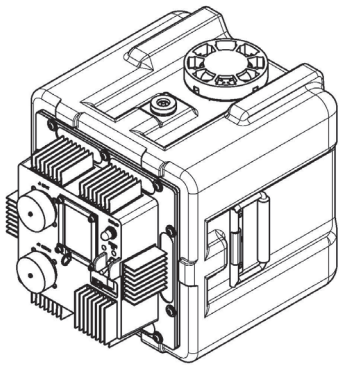
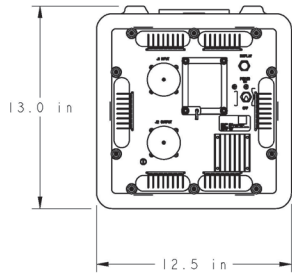
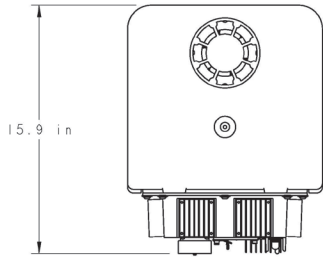
Qualifications

Transport	UN and DoT approved
Altitude	50,000 ft / 15,240 m
Water proof	3 ft
Vibration spectrum	full
Shock spectrum	full
Electromagnetic spectrum	full



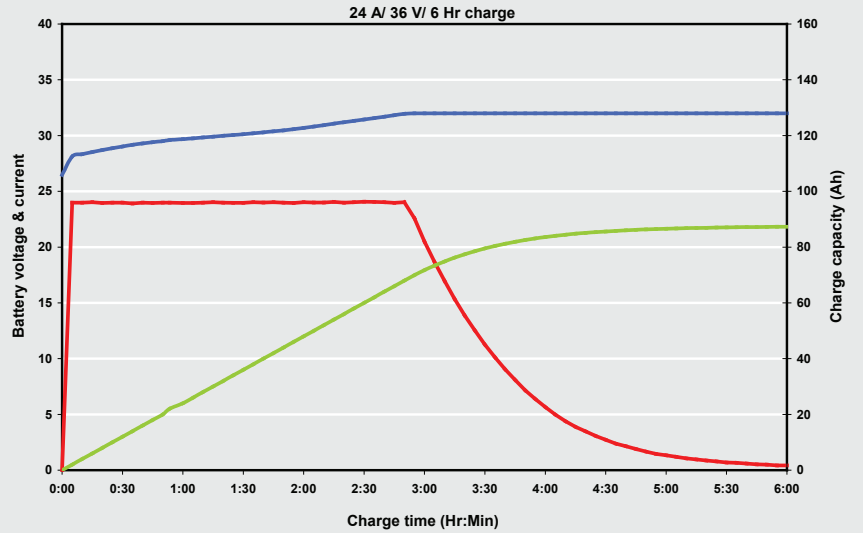
SAFT

High Power LBB

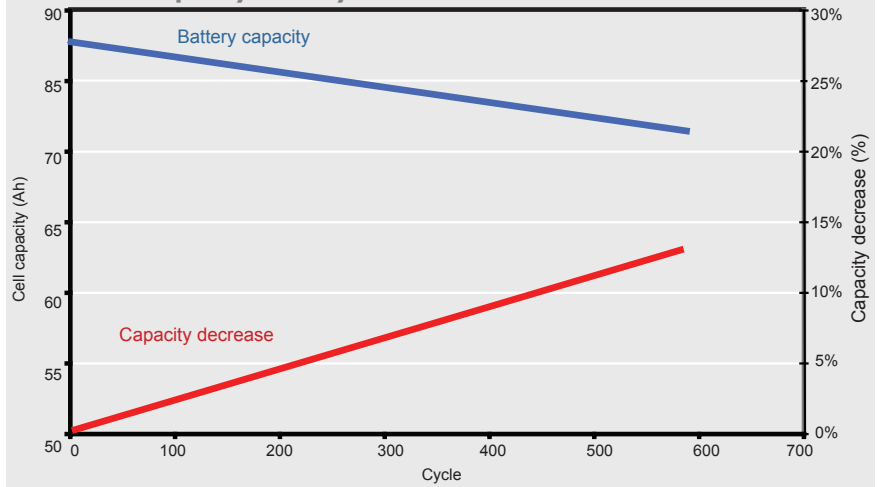


SCALE 1:4

Charge profile



Fade/capacity over cycle life



Saft

107 Beaver Ct.
 Cockeysville, MD 21030
 Tel.: +1 410-771-3200
 Fax: +1 410-771-1144
 Email: SaftDefenseUS@saftbatteries.com
 www.saftbatteries.com

Doc N°54086-2-0513
 Edition: May 2013
 Information in this document is subject to change
 without notice and becomes contractual only after
 written confirmation by Saft.
 Published by the Communications Department
 Photo credit: Saft