

LSP 17330-20F

Hybrid Primary Li-SOCl₂ battery

3.6 V 2/3 A size bobbin cell fitted with a 20F LIC

Saft's LSP 17330-20F battery is ideally suited for long life applications featuring low base currents and periodic pulses and periodic high current pulses up to 1.0 A.

Benefits

- High pulse capability.
- High voltage response, stable even after long dormant periods.
- Low self-discharge compatible with long operating life (less than 1.5% after 1 year of storage at +20 °C).
- Wide operating temperature range (-20°C to +70°C).
- Easy integration into systems.

Key features

- Battery made of Saft's LS 17330 2/3 A size bobbin Li-SOCl₂ cell fitted with a 20 F LIC (Lithium Ion Capacitor) in parallel connection for pulse support.
- Well controlled passivation.
- Non-flammable electrolyte.
- Manufactured in the UK.

Designed to meet all major quality, safety and environmental standards

- Safety: UL 1642, IEC 60086-4 (at cell level)
- Transport: UN 3090, 3091 & 3499 for components and tested to UN 38.3.
- Quality: ISO 9001, Saft World Class program.
- Environment: ISO 14001, RoHS and REACH compliant.

Typical applications

- Smart metering.
- Internet of Things.
- Tracking systems.
- Environmental monitoring.



Electrical characteristics ^[i]

Nominal capacity (at 3 mA, +20°C, 2.0 V cut-off) ^[ii]	2.05 Ah
Open circuit voltage (at +20°C)	3.67 V
Nominal voltage (under 0.2mA, +20°C)	3.6 V
Nominal energy	7.56 Wh
Typical pulse capability ^[iii]	At 20°C 1.0 A / 3s pulses
Maximum recommended continuous current ^[iv]	25 mA

Operating conditions

Operating temperature range	-20°C to +70°C
Storage temperature recommended ^[v]	max +30°C

Physical characteristics (sleeved cell)

Length (max)	28.0 mm
Width (max)	17.5 mm
Height (max)	35.5 mm
Typical weight	20.0 g
Li metal content	(approx.) 0.6 g

References

Saft part number	0095-788-019
Battery connector ^[vi]	JST (PHR-2)

[i] Typical values relative to cells stored up to one year at +30°C max.

[ii] Dependent upon current drain, temperature, cut-off and cell orientation.

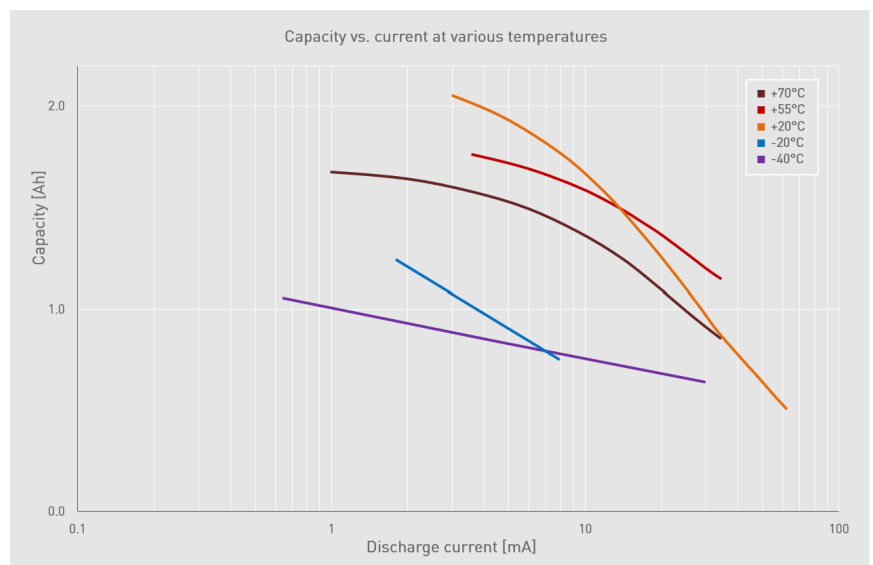
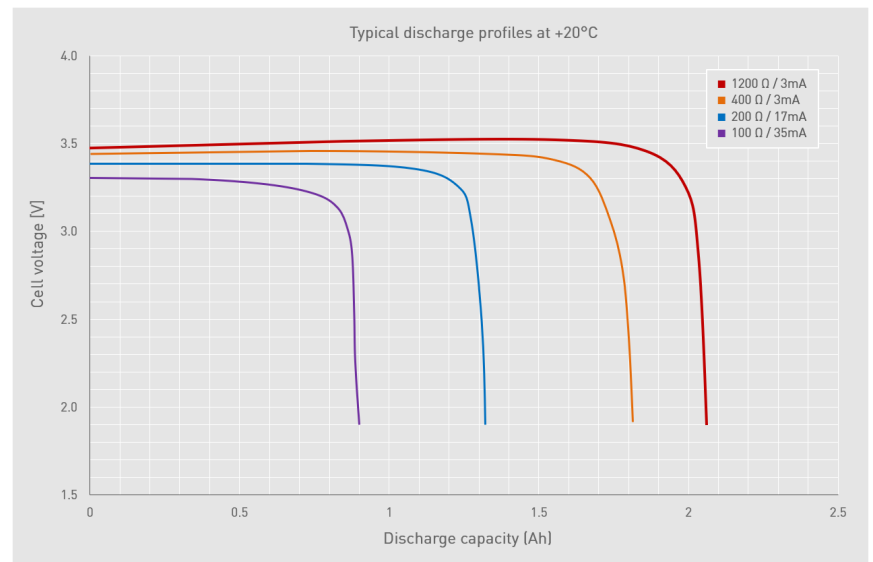
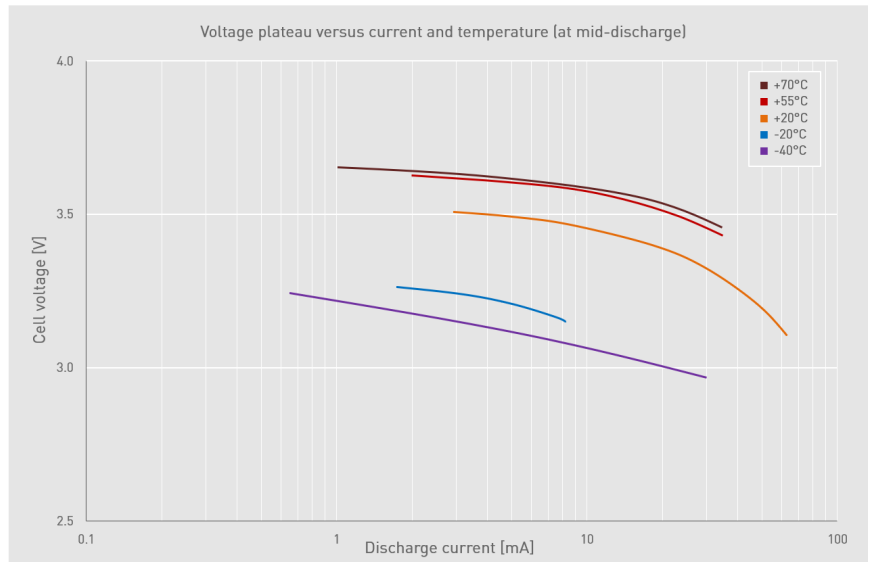
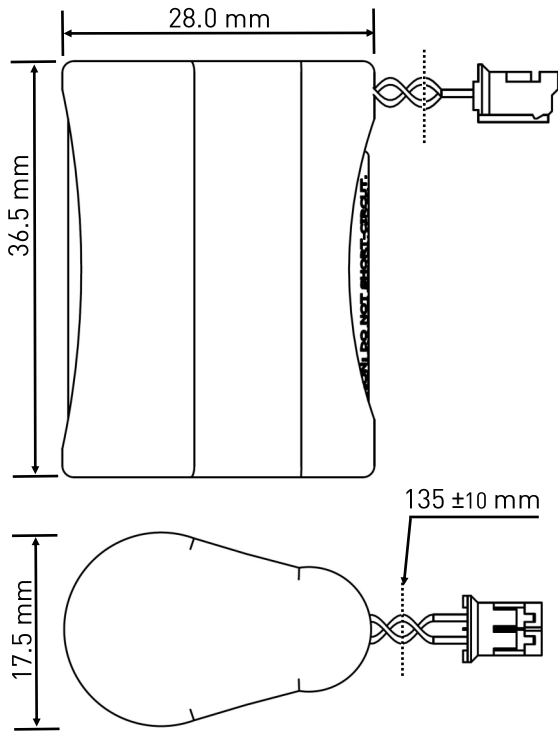
[iii] (TBA). For further details consult Saft.

[iv] Higher currents are possible, consult Saft.

[v] For more severe conditions, consult Saft.

[vi] Other terminations are available, consult Saft.

LSP 17330-20F



Storage

- The storage area should be clean, cool (preferably not exceeding +30°C), dry and ventilated.

Warning

- Fire, explosion and burn hazard.
- Do not recharge, short circuit, crush, disassemble, heat above 100°C (212°F), incinerate, or expose contents to water.
- Do not solder directly to the battery (use the connector).

Saft

26, Quai Charles Pasqua,
92300 Levallois Perret -France
Tel.: +33 (0)1 49 93 19 18
Fax: +33 (0)1 49 93 19 69
www.saftbatteries.com

Saft

River Drive, South Shields
Tyne & Wear, NE33 2TR
United Kingdom
Tel: +44 191 456 1451
www.saftbatteries.com

Doc N°: 31203-2-0521
Edition: May 2021

Information in this document is subject to change without notice and becomes contractual only after written confirmation by Saft.
Published by the Communication Department
Photo credit: Saft
Produced by CE Marketing Department

